



**FLIFTING**

**宁波市亿林汽车用品有限公司**

**Ningbo Easy Lifting Auto Accessories Co., Ltd.**

**宁波鸿力汽车配件有限公司**

**Ningbo Hongli Auto Accessories Co., Ltd.**

ADD:Shangcheng Village, Tangxi Town, Ningbo, Zhejiang, China

TEL:+86 13884477644

Email:operation@cnnbhongli.com

Web:cnnbhongli.en.alibaba.com



# **CARGO CONTROL MANUFACTURER**

Ningbo Hongli Auto Parts Co., Ltd. was established on September 7, 2021. Its business scope includes: auto parts and accessories manufacturing; industrial textile finished products manufacturing; general-purpose parts manufacturing; plastic products manufacturing; luggage manufacturing; mechanical parts, Parts processing; auto parts wholesale; sales of industrial textile products; retail of hardware products; wholesale of hardware products; sales of mechanical parts and parts; sales of plastic products; sales of automobile decoration products; sales of luggage and bags; import and export agency; technology advancement Export; import and export of goods.

> **2" WINCH STRAP**

F021-27 (27' STRAP)  
F021-30 (30' STRAP)



W.L.L.:3333LBS/1515KGS B/S:10000LBS/4545KGS

F-061-27 (27' STRAP)  
F-061-30 (30' STRAP)



W.L.L.:3333LBS/1515KGS B/S:10000LBS/4545KGS  
PACKING:20PCS/CTN,G.W/N.W:28KGS/26.5KGS,1.45CUFT

> **4" WINCH STRAP**

W700-427 (27' STRAP)  
W700-430 (30' STRAP)



W.L.L.:5000LBS/2272KGS B/S:15000LBS/6818KGS

CA181-427 (27' STRAP)  
CA181-430 (30' STRAP)



W.L.L.:5000LBS/2272KGS B/S:15000LBS/6818KGS

> **3" WINCH STRAP**

F030-327 (27' STRAP)  
F030-330 (30' STRAP)



W.L.L.:3333LBS/1969KGS B/S:13000LBS/5909KGS

DR3-327 (27' STRAP)  
DR3-330 (30' STRAP)



W.L.L.:3333LBS/1969KGS B/S:13000LBS/5909KGS

CA19-427 (27' STRAP)  
CA19-430 (30' STRAP)



W.L.L.:5000LBS/2272KGS B/S:15000LBS/6818KGS

Q-427 (27' STRAP)  
Q-430 (30' STRAP)



W.L.L.:5000LBS/2272KGS B/S:15000LBS/6818KGS

CA181-327 (27' STRAP)  
CA181-330 (30' STRAP)



W.L.L.:4333LBS/1969KGS B/S:13000LBS/5909KGS

CA19-327 (27' STRAP)  
CA19-330 (30' STRAP)



W.L.L.:4333LBS/1969KGS B/S:13000LBS/5909KGS

> **1" RATCHET & CAM TIE DOWN**

TD05-SP-6 (6' STRAP) TD05-SP-9 (9' STRAP)  
TD05-SP-12 (12' STRAP) TD05-SP-15 (15' STRAP)



W.L.L.:400LBS/181KGS B/S:1200LBS/545KGS

TD05-JD-6 (6' STRAP) TD05-JD-9 (9' STRAP)  
TD05-JD-12 (12' STRAP) TD05-JD-15 (15' STRAP)



W.L.L.:400LBS/181KGS B/S:1200LBS/545KGS

> **4" WINCH STRAP**

F042-427 (27' STRAP)  
F042-430 (30' STRAP)



W.L.L.:5000LBS/2272KGS B/S:15000LBS/6818KGS

DR4-427 (27' STRAP)  
DR4-430 (30' STRAP)



W.L.L.:5000LBS/2272KGS B/S:15000LBS/6818KGS

TD29-SP-6 (6' STRAP) TD29-SP-9 (9' STRAP)  
TD29-SP-12 (12' STRAP) TD29-SP-15 (15' STRAP)



W.L.L.:500LBS/227KGS B/S:1500LBS/681KGS

TD05-JD-6 (6' STRAP) TD05-JD-9 (9' STRAP)  
TD05-JD-12 (12' STRAP) TD05-JD-15 (15' STRAP)



W.L.L.:500LBS/227KGS B/S:1500LBS/681KGS

TD27-SP-6 (6' STRAP) TD27-SP-9 (9' STRAP)  
TD27-SP-12 (12' STRAP) TD27-SP-15 (15' STRAP)



W.L.L.:737LBS/335KGS B/S:2200LBS/1005KGS

TD27-JD-6 (6' STRAP) TD27-JD-9 (9' STRAP)  
TD27-JD-12 (12' STRAP) TD27-JD-15 (15' STRAP)



W.L.L.:833LBS/378KGS B/S:2500LBS/1136KGS

TD50-CA19-27 (27' STRAP) TD50-CA19-30 (30' STRAP)



W.L.L.:3333LBS/1515KGS B/S:10000LBS/4545KGS

TD50-F-061-27 (27' STRAP) TD50-F-061-30 (30' STRAP)



W.L.L.:3333LBS/1515KGS B/S:10000LBS/4545KGS

TD26-SP-6 (6' STRAP) TD26-SP-9 (9' STRAP)  
TD26-SP-12 (12' STRAP) TD26-SP-15 (15' STRAP)



W.L.L.:737LBS/335KGS B/S:2200LBS/1005KGS

TD26-JD-6 (6' STRAP) TD26-JD-9 (9' STRAP)  
TD26-JD-12 (12' STRAP) TD26-JD-15 (15' STRAP)



W.L.L.:833LBS/378KGS B/S:2500LBS/1136KGS

TD50-CA182-27 (27' STRAP) TD50-CA182-30 (30' STRAP)



W.L.L.:3333LBS/1515KGS B/S:10000LBS/4545KGS

TD50-F031-27 (27' STRAP) TD50-F031-30 (30' STRAP)



W.L.L.:3333LBS/1515KGS B/S:10000LBS/4545KGS

> 2" RATCHET TIE DOWN

TD54-F-27 (27' STRAP) TD54-F-30 (30' STRAP)



W.L.L.:3333LBS/1515KGS B/S:10000LBS/4545KGS

TD51-F-27 (27' STRAP) TD51-F-30 (30' STRAP)



W.L.L.:3333LBS/1515KGS B/S:10000LBS/4545KGS

> 3" RATCHET TIE DOWN

TD75-F-27 (27' STRAP) TD50-F-30 (30' STRAP)



W.L.L.:5000LBS/2272KGS B/S:15000LBS/6818KGS

TD75-J-27 (27' STRAP) TD50-J-30 (30' STRAP)



W.L.L.:5400LBS/2454KGS B/S:16200LBS/7363KGS

TD50-F-27 (27' STRAP) TD50-F-30 (30' STRAP)



W.L.L.:3333LBS/1515KGS B/S:10000LBS/4545KGS

TD50-J-27 (27' STRAP) TD50-J-30 (30' STRAP)



W.L.L.:3333LBS/1515KGS B/S:10000LBS/4545KGS

TD75-CA19-27 (27' STRAP) TD50-CA19-30 (30' STRAP)



W.L.L.:5400LBS/2454KGS B/S:16200LBS/7363KGS

TD75-D-27 (27' STRAP) TD50-D-30 (30' STRAP)



W.L.L.:5400LBS/2454KGS B/S:16200LBS/7363KGS

> **4" RATCHET TIE DOWN**

TD75-D-27 (27' STRAP) TD50-D-30 (30' STRAP)



W.L.L.:5000LBS/2272KGS B/S:15000LBS/6818KGS

TD100-F-27 (27' STRAP) TD100-F-30 (30' STRAP)



W.L.L.:5400LBS/2454KGS B/S:16200LBS/7363KGS

TD100-CA19-27 (27' STRAP) TD100-CA19-30 (30' STRAP)



W.L.L.:5400LBS/2454KGS B/S:16200LBS/7363KGS

TD100-D-27 (27' STRAP) TD100-D-30 (30' STRAP)



W.L.L.:5400LBS/2454KGS B/S:16200LBS/7363KGS

> **LOGISTIC RATCHET & CAM TIE DOWN**

YELLOW STRAP ARE 12' LENGTH

GRAY STRAP ARE 16' LENGTH

BLUE STRAP ARE 20' LENGTH

TD53-F1017-12 (12' STRAP)  
TD53-F1017-16 (16' STRAP)  
TD53-F1017-20 (20' STRAP)



W.L.L.:1000LBS/454KGS B/S:3000LBS/1363KGS

TD53-F1010-12 (12' STRAP)  
TD53-F1010-16 (16' STRAP)  
TD53-F1010-20 (20' STRAP)



W.L.L.:1000LBS/454KGS B/S:3000LBS/1363KGS

TD53-F018A-12 (12' STRAP)  
TD53-F018A-16 (16' STRAP)  
TD53-F018A-20 (20' STRAP)



W.L.L.:420LBS/190KGS B/S:1260LBS/572KGS

TD53-F092-12 (12' STRAP)  
TD53-F092-16 (16' STRAP)  
TD53-F092-20 (20' STRAP)



W.L.L.:735LBS/334KGS B/S:2200LBS/1000KGS

TD03-F1017-12 (12' STRAP)  
TD03-F1017-16 (16' STRAP)  
TD03-F1017-20 (20' STRAP)



W.L.L.:835LBS/379KGS B/S:2500LBS/1136KGS

TD03-F1010-12 (12' STRAP)  
TD03-F1010-16 (16' STRAP)  
TD03-F1010-20 (20' STRAP)



W.L.L.:835LBS/379KGS B/S:2500LBS/1136KGS

TD03-F018A-12 (12' STRAP)  
TD03-F018A-16 (16' STRAP)  
TD03-F018A-20 (20' STRAP)



W.L.L.:420LBS/190KGS B/S:1260LBS/572KGS

TD03-F092-12 (12' STRAP)  
TD03-F092-16 (16' STRAP)  
TD03-F092-20 (20' STRAP)



W.L.L.:735LBS/334KGS B/S:2200LBS/1000KGS

TD913-F1017-12 (12' STRAP)  
TD913-F1017-16 (16' STRAP)  
TD913-F1017-20 (20' STRAP)



W.L.L.:1500LBS/681KGS B/S:4500LBS/2045KGS

F-061-27 (21' STRAP)  
F-061-33 (33' STRAP)



W.L.L.:3333LBS/1515KGS B/S:10000LBS/4545KGS

**F1017-6D (6' STRAP)**



W.L.L.:1000LBS/454KGS B/S:3000LBS/1363KGS

**F1010-6D (6' STRAP)**



W.L.L.:1000LBS/454KGS B/S:3000LBS/1363KGS

**F018A-6 (66' STRAP)**



W.L.L.:400LBS/190KGS B/S:1200LBS/572KGS

UTILITY TIEDOWNS

TD05-SP-10-2-P



Tie-Down, 10' Cam 1200 lbs, 2 Pk, i-Pack

TD06-13-L2



Lashing Strap, 13' Cam 600 lbs, 2 Pk

UTILITY TIEDOWNS

TD32D-F-8-2P



Tie-Down Power, Sports Ext 8'x1.25"Rat 2PKiPK 3000lbs

TD32E-JD-16'-2P



Tie-Down Pro Granderplus16"X1.25" Rat 2IPK 3000lbs

TD25-J-15D-L



Tie-Down, 15' Ratchet 2,000lbs J-Hks&D-Ring

TD26C-J-12-4C



Ratchet Tie-Down, 12ftx1 in 1000lbs WLL,3000lb Cap

TD38E-F-8-2-P



Tie Down, 8', ATV Cycle 3000lb Rat 2Pk iPk

TD38F-JD-16'-P



Tie-Down Pro, Grade Ext 16'x1.5"Ratchet Ipk 3000lbs

TD29B-SP-15-4-C



Tie Down, 15' Ratchet 1,500 lbs, 4 Pack

TD29B-SP-12-2P



Tie-Down, 12'Rat,Camo,1500lb 2Pk i-Pak

TD05B-SP-6-4P



Locking Tie-Downs 16' 1200lbs 4packs

TD29A-SP-16-4P



Heavy Duty Ratchet Tie-Downs 16' 1320lbs 4packs

TD29B-SP-13-Q



Bin Display, 13' Ratchet, 1200 lbs., S Hook

TD29-SP-14-4-C



Tie Down, 14' Ratchet 1,500 lbs, 4 Pack

TD32D-SP-12-4P



Ratcheting Tie -Downs 12' 2100lbs 4packs

TD29B-SP-15-4L



15'RATCHET STRAP 1500lbs S HOOK DBL BLISTER 4Pk

TD05-SP-10-4-P



Tie-Down, 10' Cam 900 lbs., 4 Pk, i-Pack

TD29-SP-14-L



Tie-Down, 14' Ratchet 1500lbs, Lg S Hooks

TD29B-SP-8-2-P



Tie-Down, 8', ATV Cycle 1500lbs Ratch 2Pk iPk

TD29-JP-12-L4



12' RATCHET STRAP 1500lbs S HOOK DBL BLISTER 4Pk

TD38E-J-14-P



Tie Down, 14', Pad.Ratch,3,000lbs. J Hks i-Pack

TD53B-SP-14-P



Tie-Down, 14'x2" Ratchet 2000lbs, i-Pack



> RATCHET STRAP

TD50SM-N-J-8M(8Mx4T) TD50SM-N-J-8M(8Mx5T)  
TD50SM-N-J-10M(10Mx4T) TD50SM-N-J-10M(10Mx5T)



50MM RATCHET STRAP WITH DOUBLE J HOOKS

TD50SG-J-8M (8M LENGTH)  
TD50SG-J-10M (10M LENGTH)



50MM RATCHET STRAP 5000KGS ERGO RATCHET

TD38P-J-3M



LASHING SYSTEM,35MM\*3M\*3T,RED COLOR

TD54M1-J-3M



50MM CAR LASHING SYSTEM, 4T-3M

TD26-J-16D



1"X16'STRAP ASSY 3000lbs

TD38-J-6M



35mm x 6m Ratchet Strap 2000kg

TD38-U-6M



35MM 2000KG RATCHET STRAP OPEN HOOKS

TD35-J-2M



35MM 3000KG RATCHET STRAP 2M DOUBLE J HOOKS

TD50SN-W520-8M



50MM 5000KG RATCHET STRAP, 8 M OPEN HOOKS

TD150-15M



Ratchet Strap 150mm x 15M x 20Tons

> AUTO TIEDOWN

TD50S-J-8



50MM CAR TIEDOWN, 2.4M, ASSEMBLY 4000KGS

TD51S-F1017-CA20A-10



2"x10" Ratchet Strap 4110lbs RTJ Cluster Hook

TD50S-J-8B



50mm Car Tiedown 2.4M Assembly 4000kgs

TD30-2M



Car Lashing 28mm x 1.8Ton x 2M

TD38A-J-8



Car Carry Ratchet T/D 2.5M 1.5Ton

OB13-W802-850



COMPLETE OVERCENTER WEBBING 850MM 600KG

TD21-65(B)



Car Lashing 28mm x 2Ton x 1.60M

TD20-56(B)



Car Lashing 28mm x 2Ton x 1.4M


02 RIGID TIEDOWN



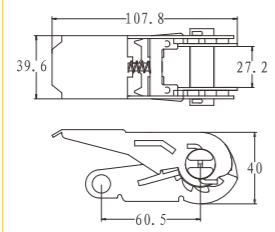

All rights reserved



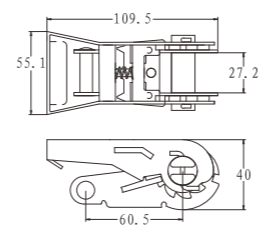

RATCHET BUCKLE



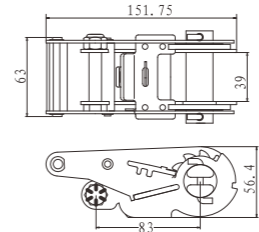

**B29**  
Width:25mm  
B/S:800KG  
100PCS/CTN,G.W/N.W:23.5KG/22.5KG

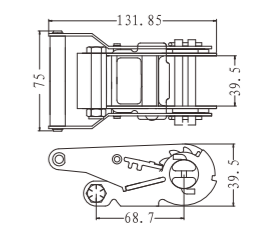

**B29N**  
Width:25mm  
B/S:800KG  
100PCS/CTN,G.W/N.W:24KG/23KG

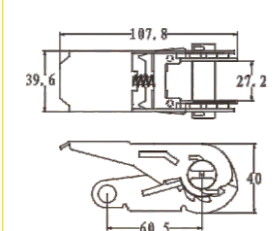

**B35**  
Width:35mm  
B/S:3000KG  
20PCS/CTN,G.W/N.W:17KG/16KG

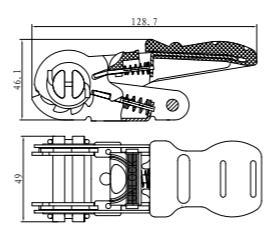

**B38**  
Width:35mm  
B/S:2000KG  
40PCS/CTN,G.W/N.W:19KG/18KG

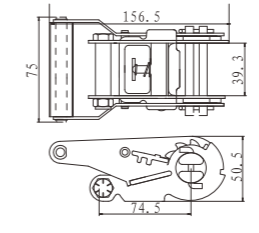

**B29stainless steel**  
Width:25mm  
B/S:800KG  
100PCS/CTN,G.W/N.W:23KG/22KG

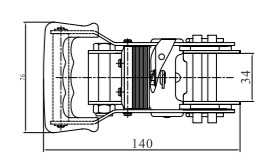

**B29A**  
Width:25mm  
B/S:800KG  
100PCS/CTN,G.W/N.W:23KG/22KG

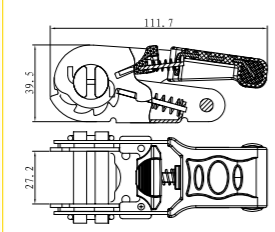

**B38A**  
Width:35mm  
B/S:3500KG  
20PCS/CTN,G.W/N.W:12KG/11KG

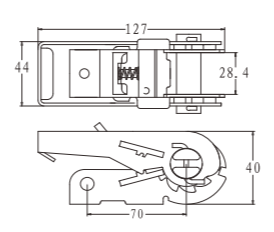

**B32**  
Width:35mm  
B/S:2500KG  
40PCS/CTN,G.W/N.W:19KG/18KG

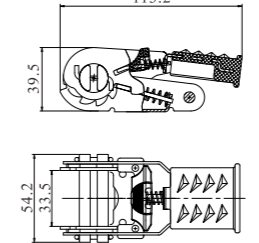

**B29B**  
Width:25mm  
B/S:800KG  
100PCS/CTN,G.W/N.W:22KG/21KG

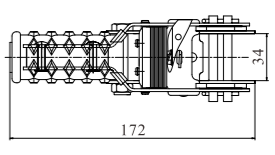

**B25**  
Width:25mm  
B/S:1500KG  
40PCS/CTN,G.W/N.W:15KG/14KG

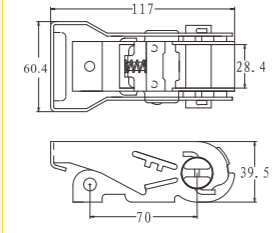

**B32A**  
Width:35mm  
B/S:910KG  
840PCS/CTN,G.W/N.W:19KG/18KG

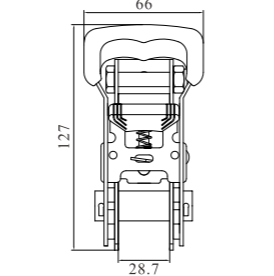

**B32C**  
Width:35mm  
B/S:1500KG  
40PCS/CTN,G.W/N.W:20KG/19KG

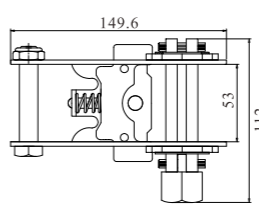

**B26**  
Width:25mm  
B/S:1500KG  
40PCS/CTN,G.W/N.W:15KG/14KG

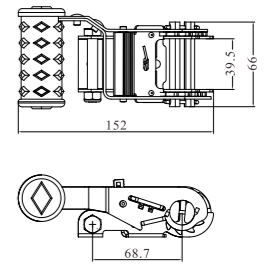

**B26C**  
Width: 25mm  
B/S:1875KG  
40PCS/CTN,G.W/N.W:15KG/14KG

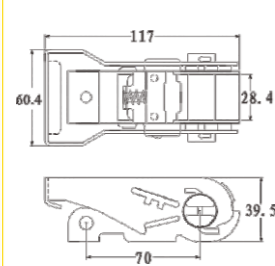

**B31R-A**  
Width:50mm  
B/S:3000KG  
20PCS/CTN,G.W/N.W:17KG/16KG

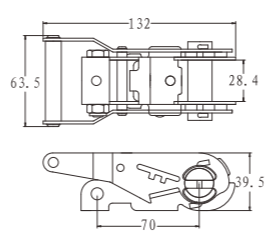
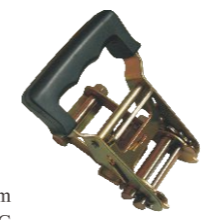
**B38F**  
Width:35mm  
B/S:1500KG  
40PCS/CTN,G.W/N.W:20KG/19KG

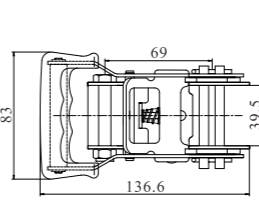

**B26stainless steel**  
Width:25mm  
B/S: 1500KG  
40PCS/CTN,G.W/N.W:16KG/15KG

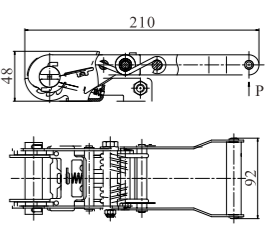
**B27**  
Width:25mm  
B/S:1500KG  
40PCS/CTN,G.W/N.W:15KG/14KG





**B38E**  
Width:35mm  
B/S:2000KG  
50PCS/CTN,G.W/N.W:22KG/23KG

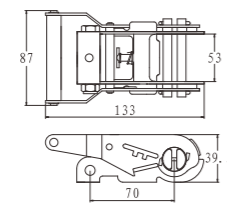




**B53Z**  
Width:50mm  
B/S:2000KG  
15PCS/CTN,G.W/N.W:11KG/12KG

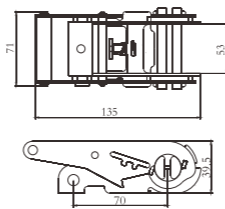





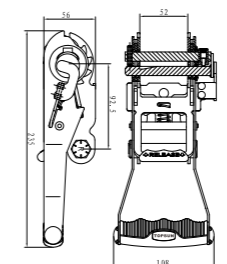

**B53**  
Width:50mm  
B/S:2000KG  
40PCS/CTN,G.W/N.W:22KG/21KG

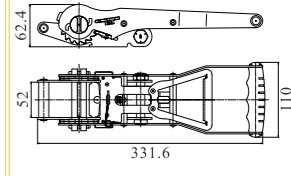

**B53B**  
Width:50mm  
B/S:2000KG  
40PCS/CTN,G.W/N.W:21KG/20KG

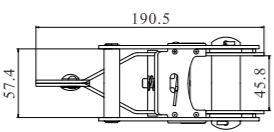

**B50SH-N**  
Width: 50mm  
B/S: 5000KG  
20PCS/CTN,G.W/N.W:21KG/20KG

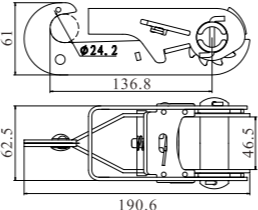

**B50SG**  
Width:50mm  
B/S:5000KG  
15PCS/CTN,G.W/N.W:22KG/21KG

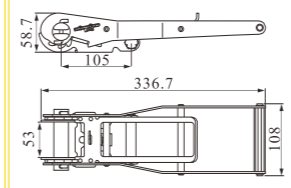

**B45**  
Width:45mm  
B/S:3000KG  
20PCS/CTN,G.W/N.W:16KG/17KG

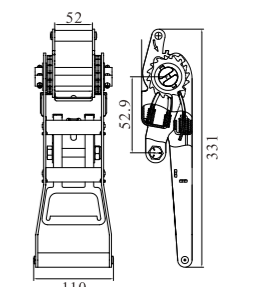

**B45A**  
Width:45mm  
B/S:2900KG  
50PCS/CTN,G.W/N.W:17KG/16KG

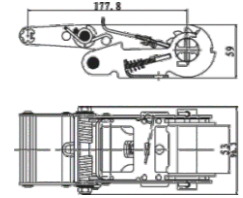

**B50SJ**  
Width:50mm  
B/S:5000KG  
14PCS/CTN,G.W/N.W:20.5KG/19.5KG

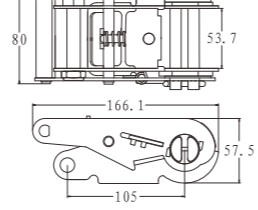

**B50ST**  
Width: 50mm  
B/S: 5000KG  
10PCS/CTN,G.W/N.W:22KG/21KG

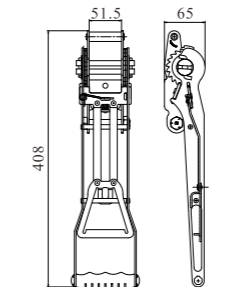

**B50P**  
Width:50mm  
B/S:5000KG  
20PCS/CTN,G.W/N.W:24KG/23KG

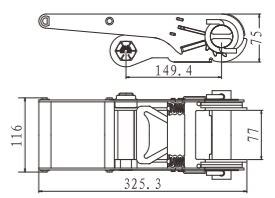

**B54**  
Width:50mm  
B/S:5000KG  
20PCS/CTN,G.W/N.W:22KG/21KG

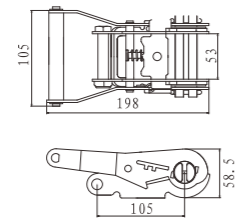

**B50SU**  
Width: 50mm  
B/S 5000KG  
16PCS/CTN,G.W/N.W: 26.50KG/25.50KG

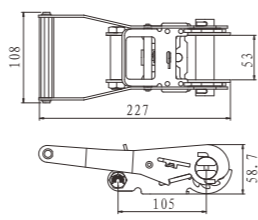

**B75**  
Width:50mm  
B/S:3000KG  
20PCS/CTN,G.W/N.W:17KG/16KG

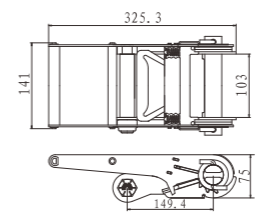

**B51**  
Width:50mm  
B/S:5000KG  
20PCS/CTN,G.W/N.W:22KG/21KG

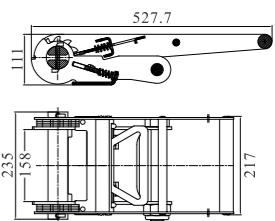

**B50**  
Width:50mm  
B/S:5000KG  
20PCS/CTN,G.W/N.W:23KG/22KG

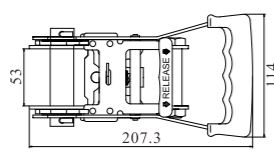

**B100**  
Width:75mm  
B/S:10000KG  
6PCS/CTN,G.W/N.W:19KG/18KG

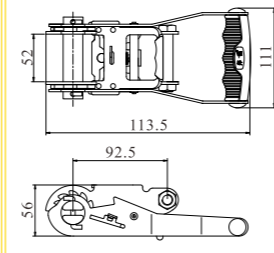

**B150**  
Width: 150mm  
B/S: 20000KG  
2PCS/CTN,G.W/N.W:23.50KG/22.50KG

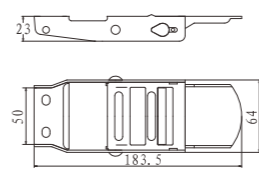

**B51G**  
Width:50mm  
B/S:5000KG  
10PCS/CTN,G.W/N.W: 16.5KG/17.5KG

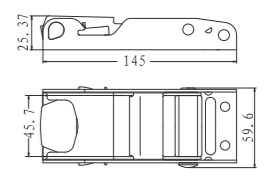
**B50SM-N3**  
Width: 50mm  
B/S: 5000KG  
20PCS/CTN,G.W/N.W:20KG/19KG

**OB13**  
Width:50mm  
B/S:860KG  
100PCS/CTN,G.W/N.W:28KG/27KG

**915N**  
Width:45mm  
B/S:1500KG  
80PCS/CTN,G.W/N.W:28.5KG/27.5KG



OVERCERTRE BUCKLE

**914**  
Width:45mm  
B/S:2250KG  
80PCS/CTN,G.W/N.W:29KG/28KG

**913**  
Width:45mm  
B/S:2250KG  
40PCS/CTN,G.W/N.W:21KG/20KG

**OB11**  
Width:45mm  
B/S:2250KG  
40PCS/CTN,G.W/N.W:25KG/24KG

**OB17A**  
Width:45mm  
B/S:2250KG  
40PCS/CTN,G.W/N.W:25KG/24KG

**W307**  
Width:25mm  
B/S:1350KG  
400PCS/CTN,G.W/N.W:23KG/22KG

**W307A**  
Width:25mm  
B/S:1500KG  
300PCS/CTN,G.W/N.W:25KG/24KG

**CAM BUCKLE**

**CB06**  
Width:25mm  
B/S:300KG  
400PCS/CTN,G.W/N.W:31.5KG/30.5KG

**CB05**  
Width:25mm  
B/S:700KG  
200PCS/CTN,G.W/N.W:23KG/22KG

**CB05N**  
Width:25mm  
B/S:800KG  
150PCS/CTN,G.W/N.W:28KG/27KG

**CB03**  
Width:50mm  
B/S:1100KG  
100PCS/CTN,G.W/N.W:27KG/26KG

**W303**  
Width:25mm  
B/S:1100KG  
400PCS/CTN,G.W/N.W:18.5KG/17.5KG

**W313**  
Width:25mm  
B/S:1500KG  
200PCS/CTN,G.W/N.W:31KG/30KG

**W308+D21A**  
Width:25mm  
B/S:1500KG  
200PCS/CTN,G.W/N.W:25KG/24KG

**W302A**  
Width:45mm  
B/S:3000KG  
100PCS/CTN,G.W/N.W:18.5KG/17.5KG

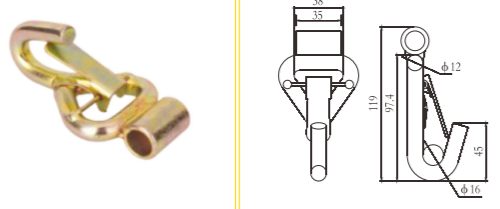
**WIRE HOOK**

White Zinc  
Color Zinc  
Vinyl Coated

Item No.	B/S KG	A mm	B mm	C mm	D mm	Q'ty PCS/ CTN	G.W KG	N.W KG
S50	220	107	25	28	8	250	24	23
S150	700	107	25	28	8	250	24	23
S220	1000	108	25	25	8.5	250	24.5	23.5
S250	1100	120	27	33	9.5	120	18	17
S330	1500	121	28	28	10	120	19	18

**W314**  
Width:35mm  
B/S:3000KG  
50PCS/CTN,G.W/N.W:15.5KG/15KG

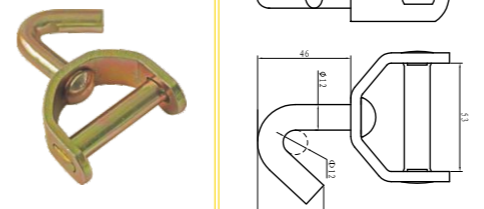
**W400**  
Width:45mm  
B/S:450KG  
300PCS/CTN,G.W/N.W:22KG/21KG




**W310A**  
Width:35mm  
B/S:3000KG  
50PCS/CTN,G.W/N.W:15KG/14.5KG



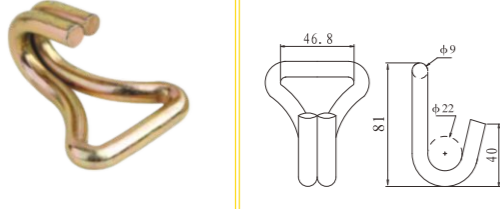
**W315+D24**  
Width:40mm  
B/S:3000KG  
100PCS/CTN,G.W/N.W:26KG/25KG



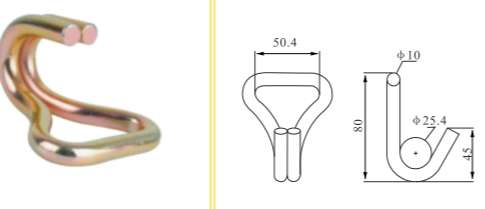
**W508B**  
Width: 50mm  
B/S: 3000KG  
100PCS/CTN,G.W/N.W:21.50KG/20.50KG



**W531**  
Width: 50mm  
B/S: 5000KG  
100PCS/CTN,G.W/N.W:25.50KG/24.50KG



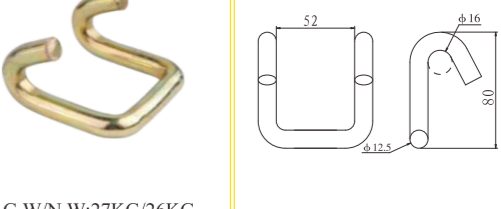
**W302**  
Width:45mm  
B/S:3000KG  
100PCS/CTN,G.W/N.W:21.5KG/20.5KG



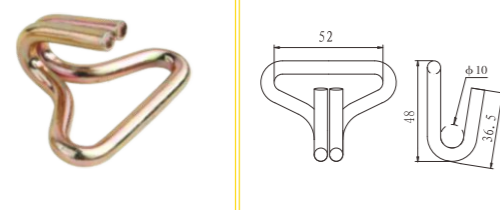
**W504**  
Width:50mm  
B/S:2250KG  
100PCS/CTN,G.W/N.W:20KG/19KG



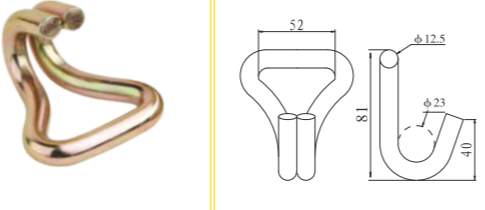
**W700**  
Width:75mm  
B/S:10000KG  
40PCS/CTN,G.W/N.W:26KG/25KG



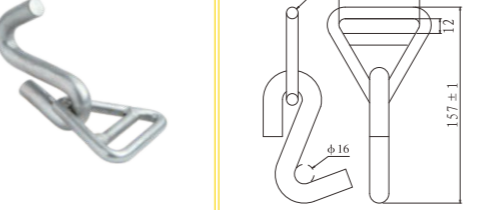
**W520**  
Width:50mm  
B/S:5000KG  
100PCS/CTN,G.W/N.W:27KG/26KG



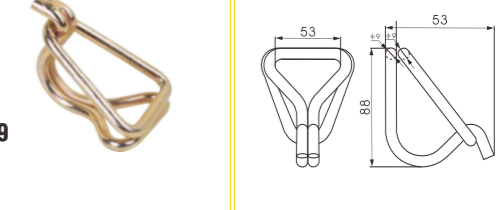
**W304**  
Width:50mm  
B/S:1100KG  
400PCS/CTN,G.W/N.W:24.5KG/23.5KG



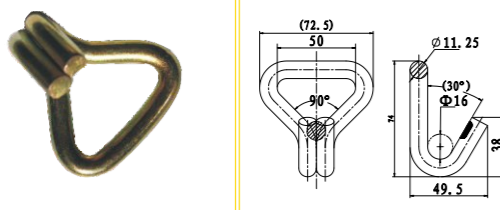
**W501**  
Width:50mm  
B/S:5000KG  
100PCS/CTN,G.W/N.W:29KG/28KG



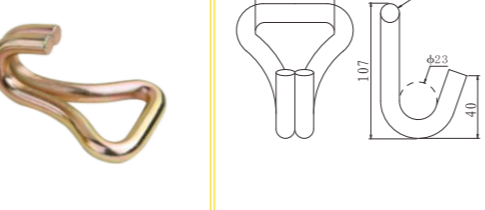
**W510**  
Width:50mm  
B/S:4000KG  
50PCS/CTN,G.W/N.W:25KG/24KG



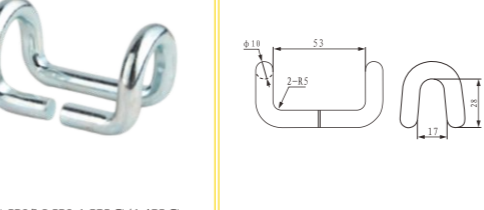
**W309+D19**  
Width:50mm  
B/S:5000KG  
50PCS/CTN,G.W/N.W:17.5KG/16.5KG



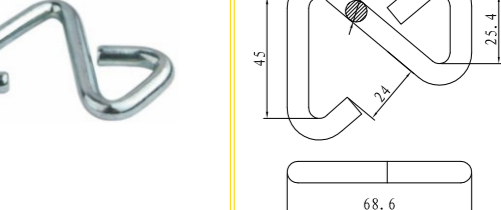
**W501G**  
Width:50mm  
B/S:5000KG  
100PCS/CTN,G.W/N.W:23KG/24KG



**W502**  
Width:50mm  
B/S:5000KG  
70PCS/CTN,G.W/N.W:26.5KG/25.5KG

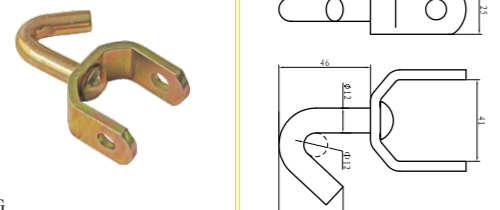


**W802**  
Width:50mm  
B/S:2000KG  
100PCS/CTN,G.W/N.W:15KG/14KG

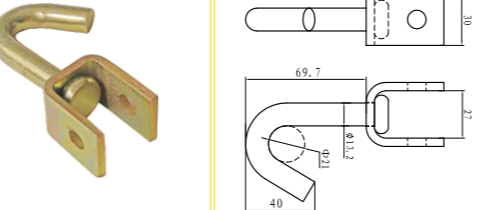


**S255**  
Width:25mm  
B/S:1250KG  
1000PCS/CTN,G.W/N.W:24KG/23KG

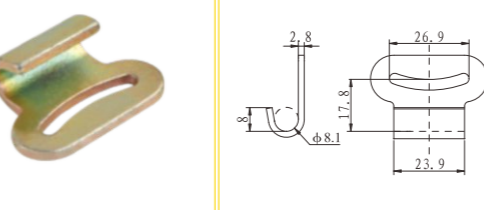
FLAT HOOK



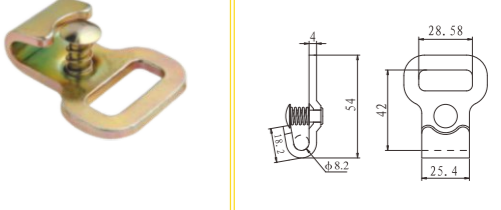
**W507B**  
B/S: 3000KG  
100PCS/CTN,G.W/N.W:19.50KG/18.50KG



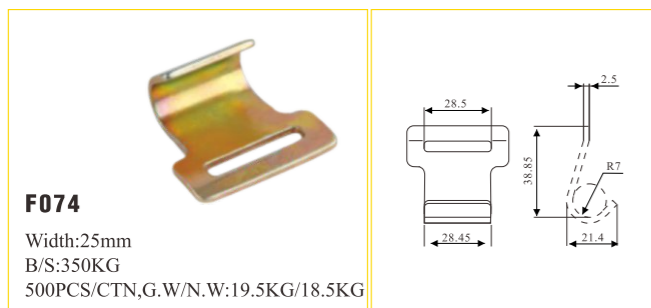
**W507C**  
B/S: 3000KG  
100PCS/CTN,G.W/N.W:14.50KG/13.50KG



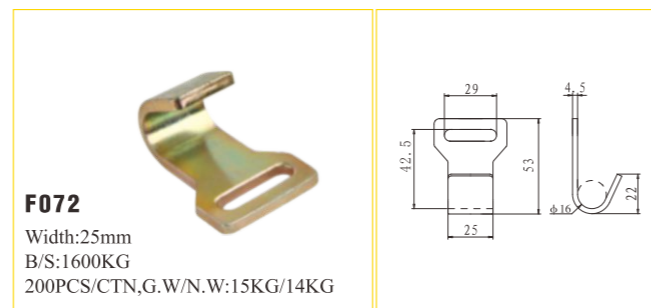
**F073**  
Width:25mm  
B/S:1250KG  
1000PCS/CTN,G.W/N.W:24KG/23KG



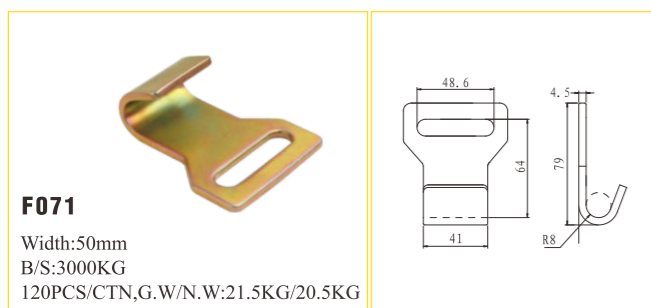
**F10**  
Width:25mm  
B/S:1600KG  
200PCS/CTN,G.W/N.W:22KG/21KG



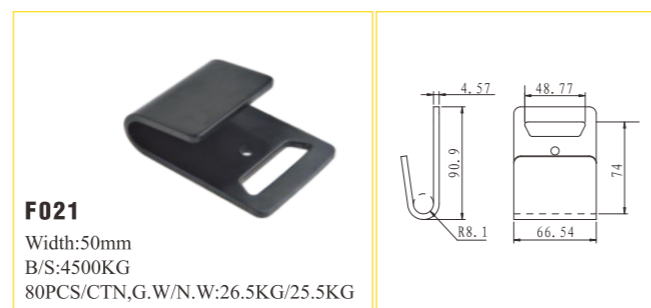
**F074**  
Width:25mm  
B/S:350KG  
500PCS/CTN,G.W/N.W:19.5KG/18.5KG



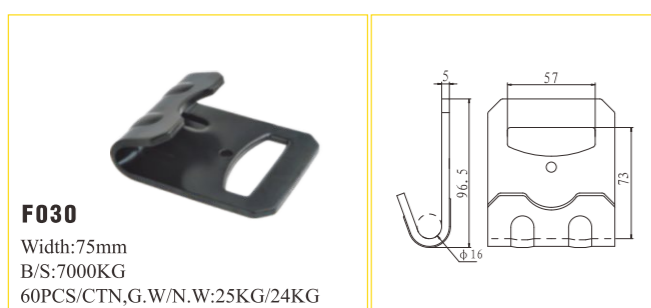
**F072**  
Width:25mm  
B/S:1600KG  
200PCS/CTN,G.W/N.W:15KG/14KG



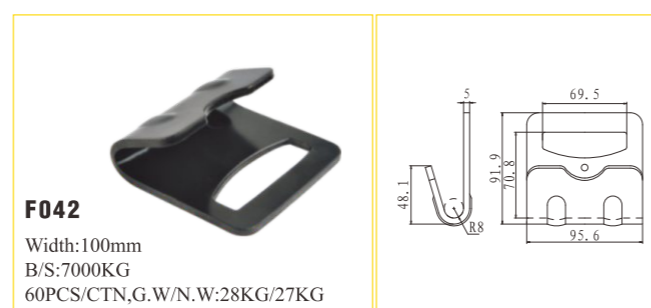
**F071**  
Width:50mm  
B/S:3000KG  
120PCS/CTN,G.W/N.W:21.5KG/20.5KG



**F021**  
Width:50mm  
B/S:4500KG  
80PCS/CTN,G.W/N.W:26.5KG/25.5KG

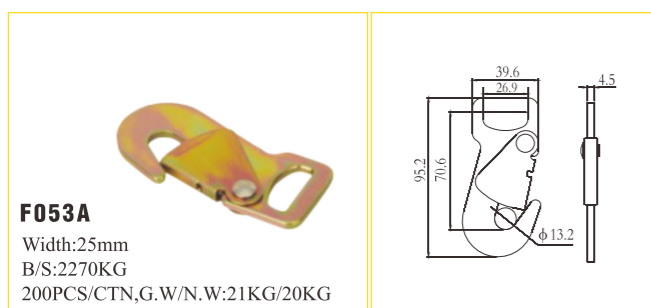


**F030**  
Width:75mm  
B/S:7000KG  
60PCS/CTN,G.W/N.W:25KG/24KG

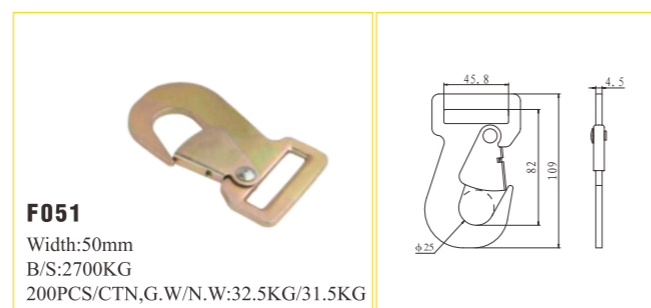


**F042**  
Width:100mm  
B/S:7000KG  
60PCS/CTN,G.W/N.W:28KG/27KG

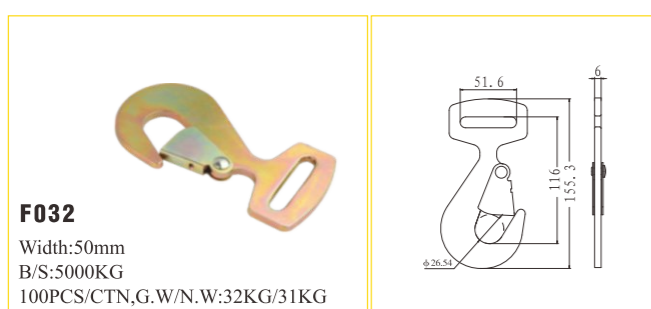
SNAP HOOK



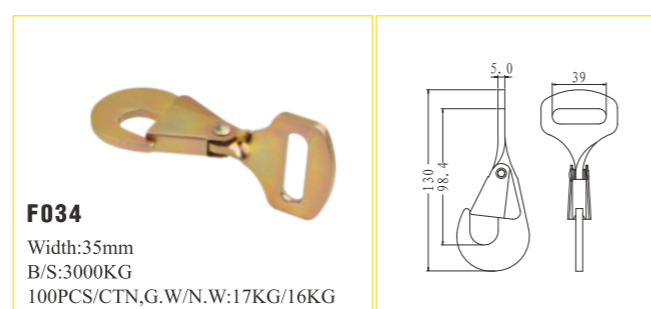
**F053A**  
Width:25mm  
B/S:2270KG  
200PCS/CTN,G.W/N.W:21KG/20KG



**F051**  
Width:50mm  
B/S:2700KG  
200PCS/CTN,G.W/N.W:32.5KG/31.5KG



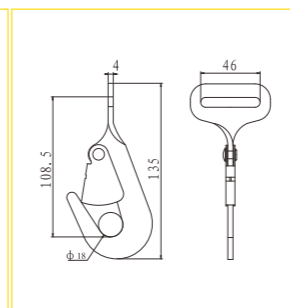
**F032**  
Width:50mm  
B/S:5000KG  
100PCS/CTN,G.W/N.W:32KG/31KG



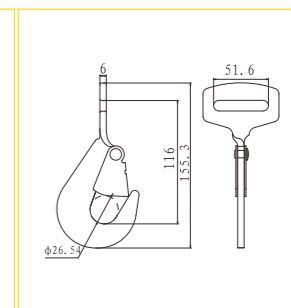
**F034**  
Width:35mm  
B/S:3000KG  
100PCS/CTN,G.W/N.W:17KG/16KG



**F031A**  
Width:45mm  
B/S:2200KG  
100PCS/CTN,G.W/N.W:16KG/15KG



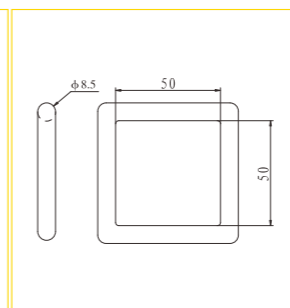

**F031**  
Width:50mm  
B/S:5000KG  
60PCS/CTN,G.W/N.W:20KG/19KG



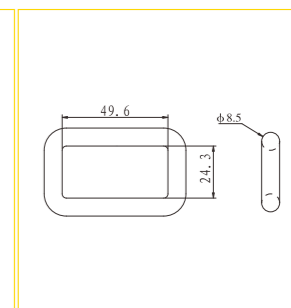
RING



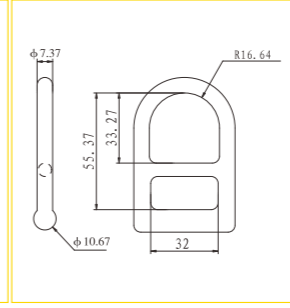
**AR22**  
Square ring  
B/S:2500KG  
200PCS/CTN,G.W/N.W:21KG/20KG



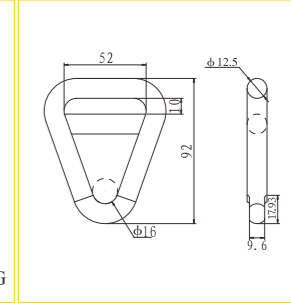

**AR12**  
Rectangle ring  
B/S:2500KG  
200PCS/CTN,G.W/N.W:16KG/15KG



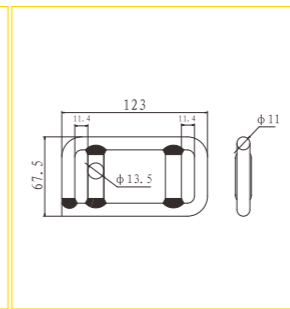

**AR13**  
Window ring  
B/S:3000KG  
200PCS/CTN,G.W/N.W:19KG/18KG



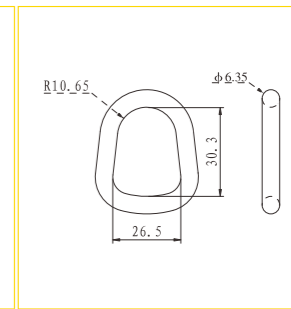

**AR14**  
D ring  
B/S:6000KG  
100PCS/CTN,G.W/N.W:27.5KG/26.5KG



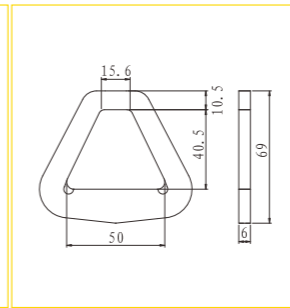

**SYDR1**  
Eye ring  
B/S:8500KG  
50PCS/CTN,G.W/N.W:18.5KG/17.5KG



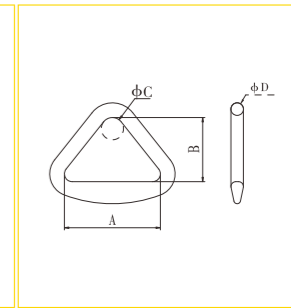

**D16**  
D ring  
B/S:2700KG  
500PCS/CTN,G.W/N.W:15KG/14KG



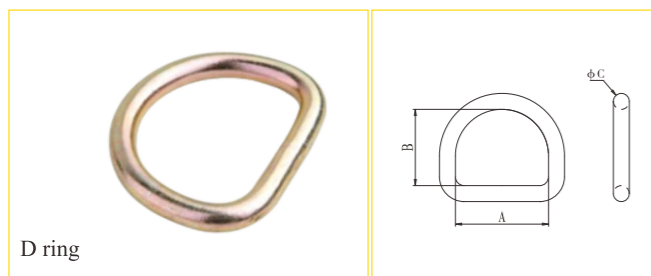

**F-061**  
Flat delta ring  
B/S:5000KG  
250PCS/CTN,G.W/N.W:28KG/27KG




Forged delta ring



Item No.	B/S KG	A mm	B mm	C mm	D mm	Q'TY PCS/CTN	G.W KG	N.W KG
SYDR3	8000	79	59.2	16	15.2	50	17	16
SYDR4	9000	103	73.2	20	17.5	30	21	20



D ring

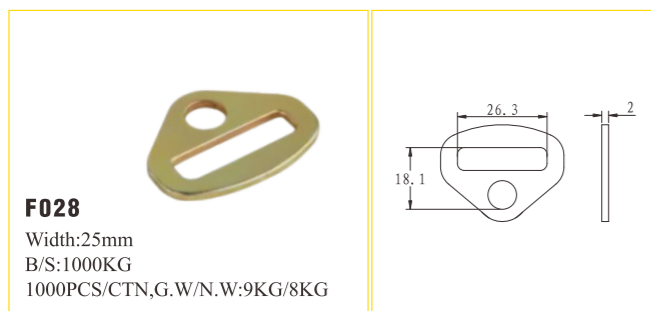
Item No.	B/S KG	A mm	B mm	C mm	Q'TY PCS/ CTN	G.W KG	N.W KG
D14	1300	26	23	6	500	13.5	12.5
D15	1300	28.3	23.8	6.35	500	13	12
D18	2200	52.5	43	9	200	19	18
D18A	3600	52	48	10	200	25	24



O ring

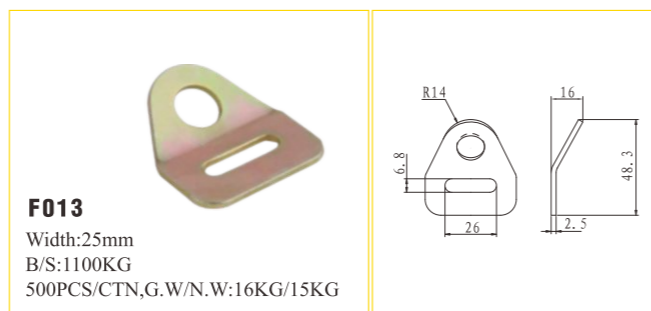
Item No.	B/S KG	A mm	B mm	Q'TY PCS/ CTN	G.W KG	N.W KG
SYDR3A	4000	76	9.5	150	22	21
SYDR2A	2250	44.4	7.2	500	26	25
SYDR2B	4500	50	10	200	23	22

## TRACK FITTINGS



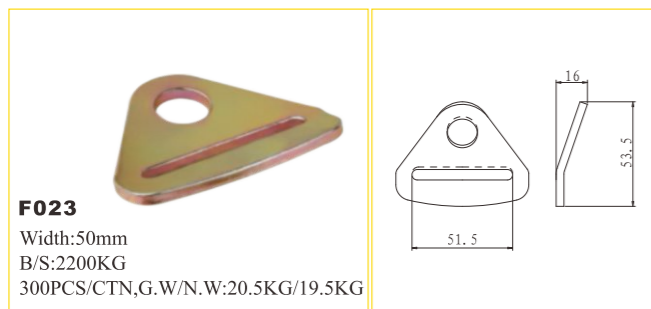
F028

Width:25mm  
B/S:1000KG  
1000PCS/CTN,G.W/N.W:9KG/8KG



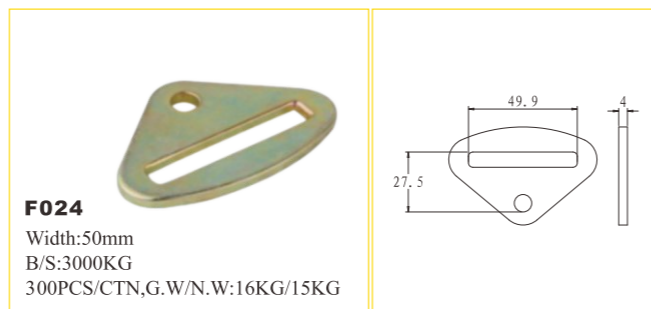
F013

Width:25mm  
B/S:1100KG  
500PCS/CTN,G.W/N.W:16KG/15KG



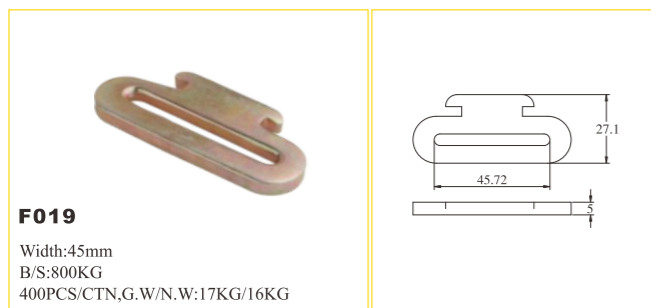
F023

Width:50mm  
B/S:2200KG  
300PCS/CTN,G.W/N.W:20.5KG/19.5KG



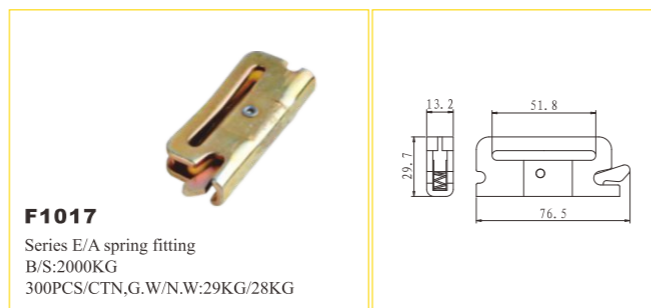
F024

Width:50mm  
B/S:3000KG  
300PCS/CTN,G.W/N.W:16KG/15KG



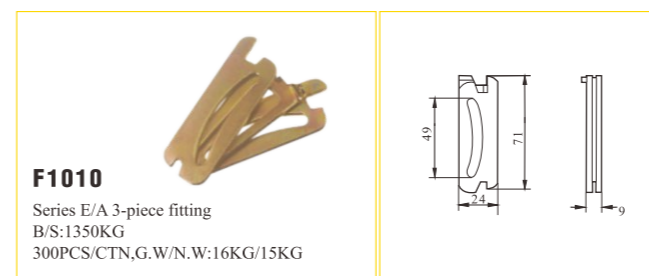
F019

Width:45mm  
B/S:800KG  
400PCS/CTN,G.W/N.W:17KG/16KG



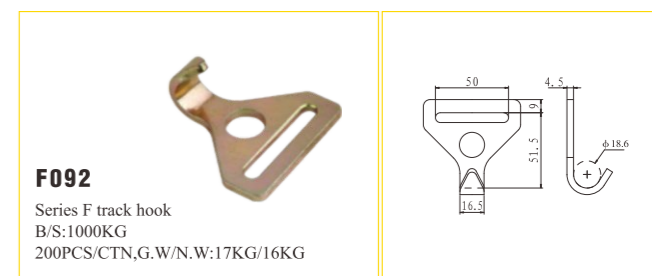
F1017

Series E/A spring fitting  
B/S:2000KG  
300PCS/CTN,G.W/N.W:29KG/28KG



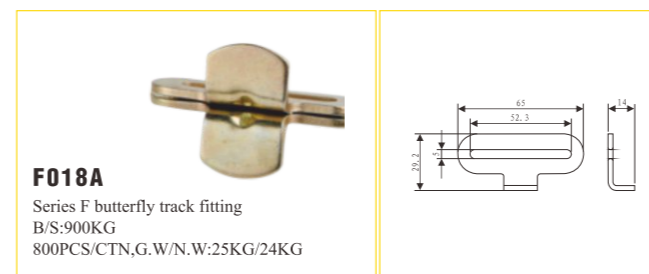
F1010

Series E/A 3-piece fitting  
B/S:1350KG  
300PCS/CTN,G.W/N.W:16KG/15KG



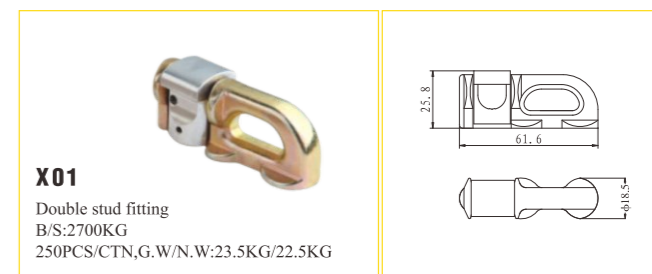
F092

Series F track hook  
B/S:1000KG  
200PCS/CTN,G.W/N.W:17KG/16KG



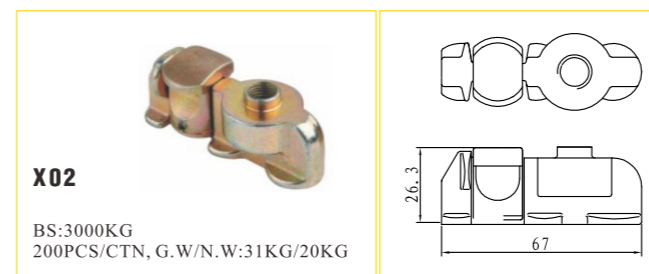
F018A

Series F butterfly track fitting  
B/S:900KG  
800PCS/CTN,G.W/N.W:25KG/24KG



X01

Double stud fitting  
B/S:2700KG  
250PCS/CTN,G.W/N.W:23.5KG/22.5KG



X02

BS:3000KG  
200PCS/CTN, G.W/N.W:31KG/20KG



X03

Double stud fitting  
B/S:2700KG  
220PCS/CTN,G.W/N.W:28.5KG/27.5KG



X01-0

Double stud fitting W/O ring  
B/S:2700KG  
200PCS/CTN,G.W/N.W:28KG/27KG



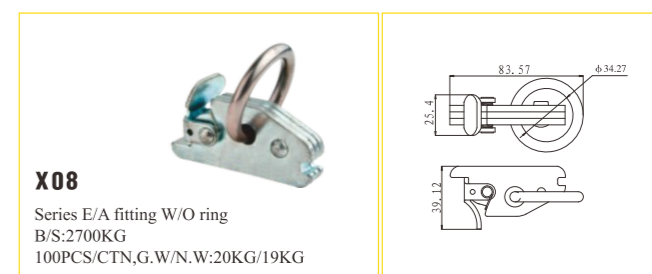
X01-P

Double stud fitting W/pear ring  
B/S:2700KG  
200PCS/CTN,G.W/N.W:24.5KG/23.5KG



X03-P

Double stud fitting W/pear ring  
B/S:2700KG  
150PCS/CTN,G.W/N.W:26.5KG/25.5KG



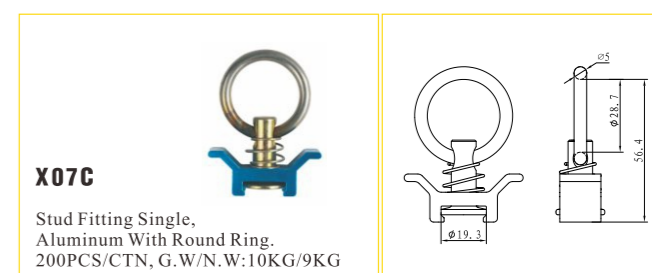
X08

Series E/A fitting W/O ring  
B/S:2700KG  
100PCS/CTN,G.W/N.W:20KG/19KG



X07

Single stud fitting W/O ring  
B/S:1500KG  
500PCS/CTN,G.W/N.W:24.5KG/23.5KG

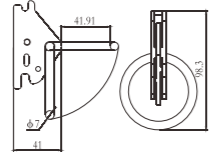


X07C

Stud Fitting Single,  
Aluminum With Round Ring.  
200PCS/CTN, G.W/N.W:10KG/9KG

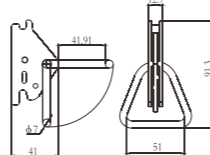
**F1018B**

Series E/A fitting W/O ring  
B/S:1850KG  
100PCS/CTN,G.W/N.W:15.5KG/15KG



**F1018A**

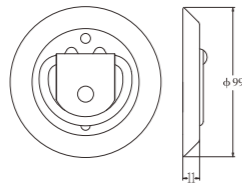
Series E/A fitting W/Triangle ring  
B/S:1850KG  
100PCS/CTN,G.W/N.W:15.5KG/15KG



**RECESSED PAN FITTING**

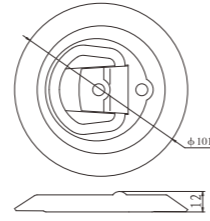
**FP08**

B/S:700KG  
150PCS/CTN,G.W/N.W:13.5KG/12.5KG



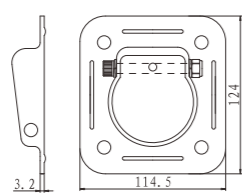
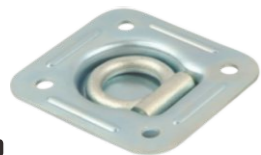
**FP11**

B/S:550KG  
200PCS/CTN,G.W/N.W:27KG/26KG



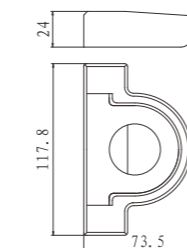
**FP10**

B/S:2250KG  
40PCS/CTN,G.W/N.W:21KG/20KG



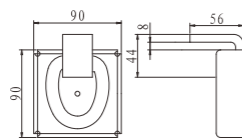
**FP06**

B/S:2500KG  
50PCS/CTN,G.W/N.W:33.5KG/32.5KG



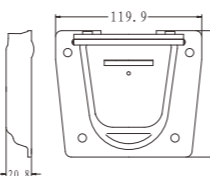
**FP01**

B/S:6000KG  
30PCS/CTN,G.W/N.W:25.5KG/24.5KG



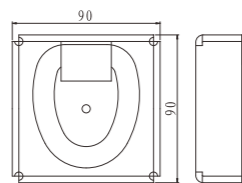
**FP05**

B/S:2500KG  
50PCS/CTN,G.W/N.W:29.5KG/28.5KG



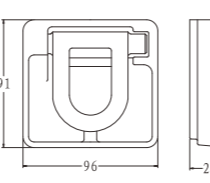
**FP03**

B/S:6000KG  
30PCS/CTN,G.W/N.W:23.5KG/22.5KG



**FP09**

B/S:2500KG  
30PCS/CTN,G.W/N.W:28KG/27KG

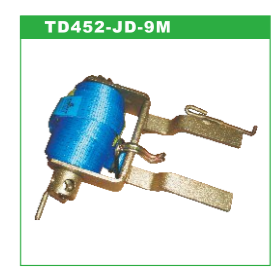
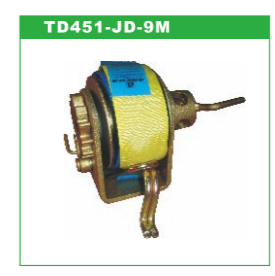
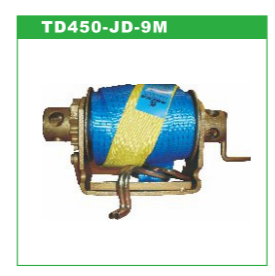


**03**

**TIEDOWN ACCESSORIES**



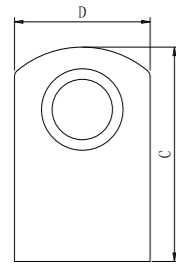
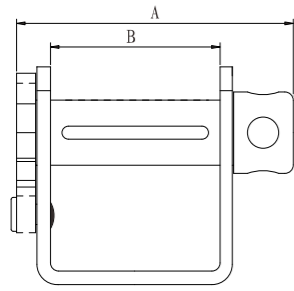
## TRUCK WINCH



## LASHING WINCH







Item No.	A mm	B mm	C mm	D mm	Q'ty pcs/ctn	G.W kgs	N.W kgs
TW410	204	124	140	90	5	20.5	19.5
TW401	204	124	158	90	5	22	21
TW411	204	124	140	90	5	21.5	20.5
TW402	204	124	158	90	5	24.5	23.5
TW1860	206	124	140	90	5	22.5	21.5
TW419	204	124	175	100	5	24.3	23.3
TW420	204	124	190	100	5	26.5	25.5
TW1820	273	195	155	100	5	28.5	27.5
TW449	265	165	155	100	5	32	31
TW450	309	165	155	100	5	34	33
TW452	257	180	155	100	4	27	26
TW451	175	76	150	100	5	21	20
TW415	230	60	200	70	5	17.5	16.5
TW1890	225	84	225	100	5	28	27
TW200	125	53	102	75	20	32	31
TW200A	149.5	53	102	75	20	35	34
TW201	132	53	102	75	20	33	32
TW201A	128	53	102	75	20	28	27
TW202	125	53	102	75	20	32	31
TW202B	125	53	114.3	75	20	32.5	31.5
W5-1	160	58	100	60	20	27	26
CW5B-2S	174	63	100	60	20	37	36
CW5-1S	160	58	140	60	20	39	38
CW5-2S	125	58	100	70	12	26.2	25.2

SERIES E BEAMS

**SYE100T**

Steel Tube Series E Beam  
Adjustable Range:91.5" to 102.5"

Decking/Vertical W.L.L:1500lbs/680kgs  
Shoring/Horizontal W.L.L:1500lbs/680kgs  
60pcs/pallet, G.W/N.W:960kgs/940kgs,26cuft



**SYE100L**

Aluminum Tube Series E Beam  
Adjustable Range:85.5" to 96.5"

Decking/Vertical W.L.L:2200lbs/1000kgs  
Shoring/Horizontal W.L.L:2200lbs/1000kgs  
100pcs/pallet, G.W/N.W:830kgs/790kgs,42cuft



**SYE100LH**

Heavy Duty Aluminum Tube Series E Beam  
Adjustable Range:83.7" to 94.7"

Decking/Vertical W.L.L:3000lbs/1360kgs  
Shoring/Horizontal W.L.L:2500lbs/1130kgs  
100pcs/pallet, G.W/N.W:1200kgs/1160kgs,42cuft



Item No.	Steel Plate Thickness,mm	Length mm	Q'ty pcs/ctn	G.W kgs	N.W kgs	Volume cuft
SYE-1	3	314.5	14	25.5	24.5	0.73
SYE-2	3.5	314.5	14	27	26	0.73
SYE-3	4	314.5	14	29	28	0.73
SYE-7	3	457.2	10	25.5	24.5	0.73

**E BEAM END**



**SYE-G**

Locking Beam End  
10pcs/ctn,G.W/N.W:27.5kgs/26.5kgs,0.7cuft



**SYE-PIN**

Attaching Pin  
500pcs/ctn,G.W/N.W:30kgs/29kgs,0.3cuft



**SYE-CL**

Insert Tube  
10pcs/ctn, G.W/N.W: 16kg/15kg



## SERIES F BARS

**SYF100**  
 Steel Round Series F Bar  
 Adjustable Range:96" to 111"  
 W.L.L:500lbs/227kgs,Tube Diameter:1.66"  
 100pcs/pallet, G.W/N.W:940kgs/920kgs,14.5cuft



**SYF101**  
 Steel Square Series F Bar  
 Adjustable Range:96" to 111"  
 W.L.L:1000lbs/454kgs,Tube Diameter:2"  
 80pcs/pallet, G.W/N.W:1020kgs/1000kgs,17.5cuft

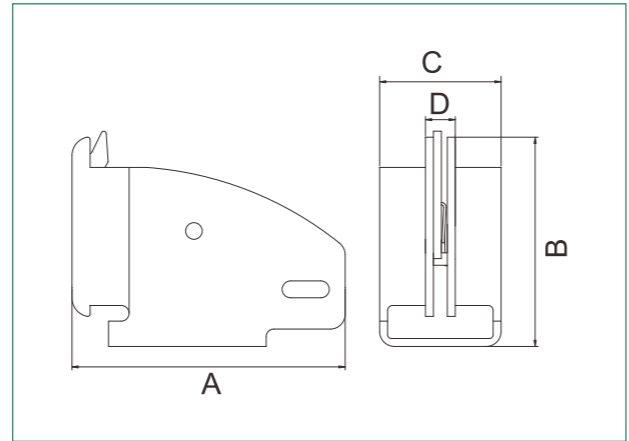
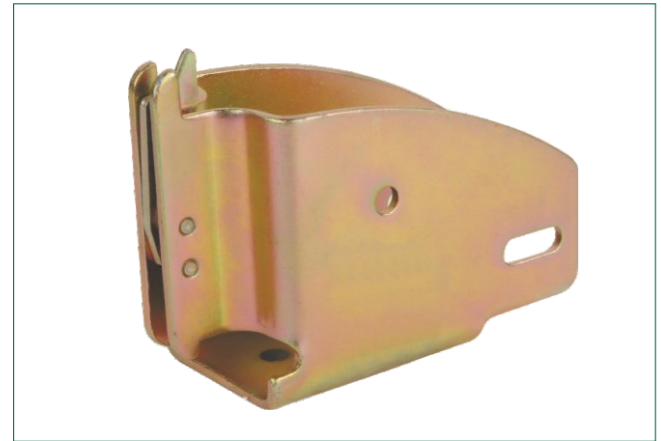


**SYF200D**  
 F Track Shoring Bar W/handles 24mm Ends 2172mm-2631mm  
 100pcs/pallet, G.W/N.W:685kg/675kg

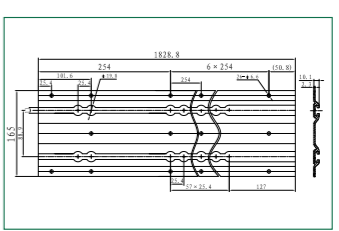
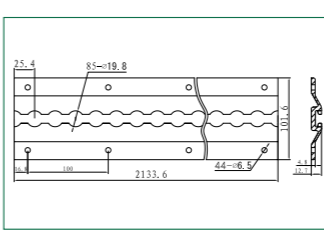
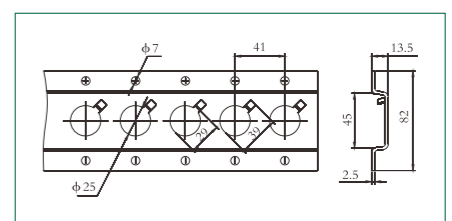
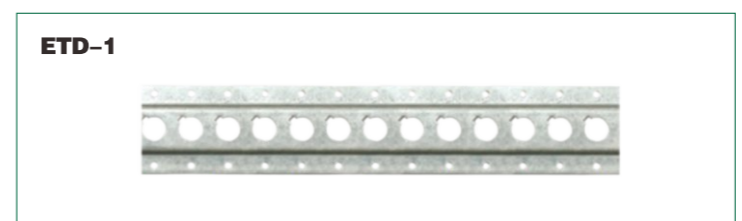
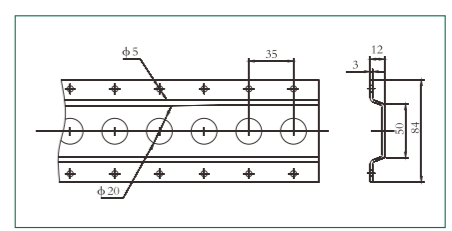
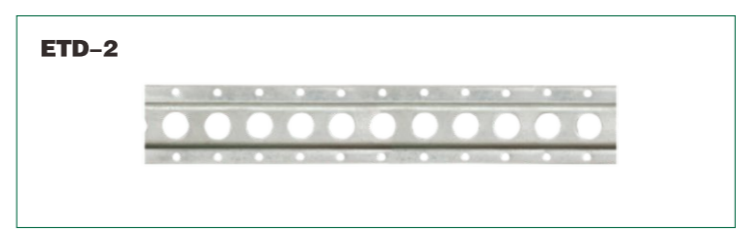
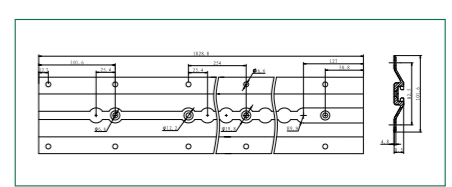
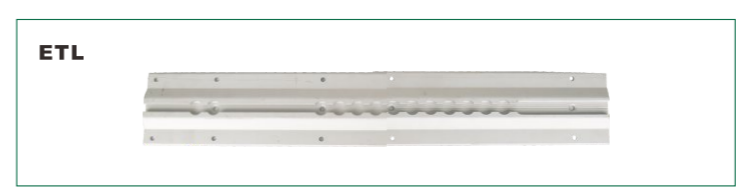
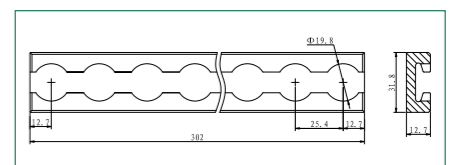
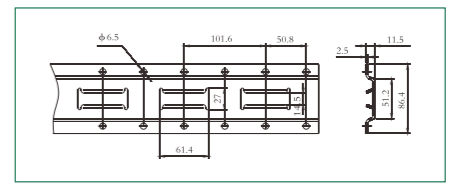
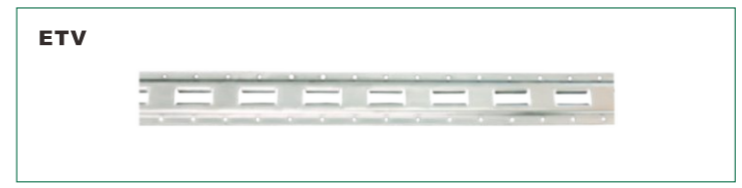
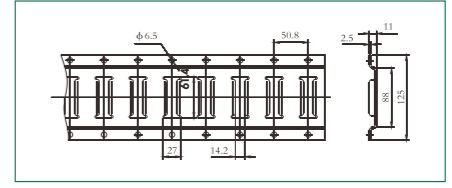


## WOOD BEAM SOCKET

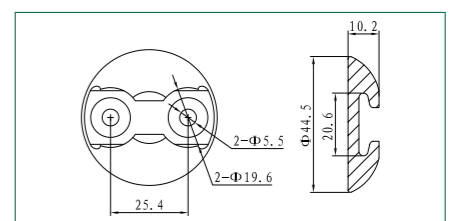
Item No.	B/S lbs	A mm	B mm	C mm	D mm	Q'ty pcs/ctn	G.W kgs	N.W kgs
SYS-1	1400	110	84.4	48.9	12	40	19	18
SYS-2	1400	110	84.4	48.9	12	40	18.5	17.5
SYS-3	1400	110	84.4	96.5	12	40	24	23








## CARGO RESTRAINT TRACK












**QT258**  
 Airline-lashing Point,aluminium  
 500PCS/CTN,G.W/N.W:11.50KG/11.00KG



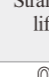


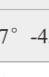

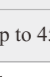
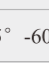
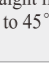


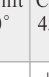
100% high tenacity polyester  
 Low elongation  
 With reinforced lifting eyes  
 Length available: 1m to 10m  
 Single ply and Double ply  
 According to EN1492-1:2000  
 Safety factor available: 6:1 7:1

Eye types	
Flat eye	
Reversed eye	
Folded eye 1/2 width from 1 side	
Folded eye 1/2 width from 2 sides	
Folded eye 1/3 width	










100% high tenacity polyester  
 Low elongation  
 Length available: 1m to 10m  
 Single ply and Double ply  
 According to EN1492-1:2000  
 Safety factor available: 6:1 7:1

Webbing width(mm)	Colourcoded according to EN1492-1	Working load limit with 1 webbing sling					Working load limit with 2 webbing sling			
		Straight lift	Choked lift	β			Straight lift up to 45°	Choked lift up to 45°	Straight lift 45° - 60°	Choked lift 45° - 60°
				0° -7°	7° -45°	45° -60°				
										
		1.0	0.8	2.0	1.4	1.0	1.4	1.12	1.0	0.8
25	1T	1.000	0.800	2.000	1.400	1.000	1.400	1.120	1.000	0.800
50	2T	2.000	1.600	4.000	2.800	2.000	2.800	2.240	2.000	1.600
75	3T	3.000	2.400	6.000	4.200	3.000	4.200	3.360	3.000	2.400
100	4T	4.000	3.200	8.000	5.600	4.000	5.600	4.480	4.000	3.200
125	5T	5.000	4.000	10.000	7.000	5.000	7.000	5.600	5.000	4.000
150	6T	6.000	4.800	12.000	8.400	6.000	8.400	6.720	6.000	4.800
200	8T	8.000	6.400	16.000	11.200	8.000	11.200	8.960	8.000	6.400
250	10T	10.000	8.000	20.000	14.000	10.000	14.000	11.200	10.000	8.000
300	12T	12.000	9.600	24.000	16.800	12.000	16.800	13.440	12.000	9.600







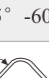
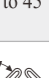


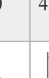
Each 25mm webbing width is equal to 1 T capacity.

Webbing width(mm)	Colourcoded according to EN1492-1	Working load limit with 1 webbing sling							Working load limit with 2 webbing sling			
		Straight lift	Choked lift	β					Straight lift up to 45°	Choked lift up to 45°	Straight lift 45° -60°	Choked lift 45° -60°
				0° -7°	7° -45°	45° -60°	Up to 45°	45° -60°				
												
		1.0	0.8	2.0	1.4	1.0	0.7	0.5	1.4	1.12	1.0	0.8
25	1T	1.000	0.800	2.000	1.400	1.000	0.700	0.500	1.400	1.120	1.000	0.800
50	2T	2.000	1.600	4.000	2.800	2.000	1.400	1.000	2.800	2.240	2.000	1.600
75	3T	3.000	2.400	6.000	4.200	3.000	2.100	1.500	4.200	3.360	3.000	2.400
100	4T	4.000	3.200	8.000	5.600	4.000	2.800	2.000	5.600	4.480	4.000	3.200
125	5T	5.000	4.000	10.000	7.000	5.000	3.500	2.500	7.000	5.600	5.000	4.000
150	6T	6.000	4.800	12.000	8.400	6.000	4.200	3.000	8.400	6.720	6.000	4.800
200	8T	8.000	6.400	16.000	11.200	8.000	5.600	4.000	11.200	8.960	8.000	6.400
250	10T	10.000	8.000	20.000	14.000	10.000	7.000	5.000	14.000	11.200	10.000	8.000
300	12T	12.000	9.600	24.000	16.800	12.000	8.400	6.000	16.800	13.440	12.000	9.600

Each 25mm webbing width is equal to 1 T capacity.

Webbing width(mm)	Colourcoded according to EN1492-1	Working load limit with 1 webbing sling					Working load limit with 2 webbing sling			
		Straight lift	Choked lift	β			Straight lift up to 45°	Choked lift up to 45°	Straight lift 45° - 60°	Choked lift 45° - 60°
				0° -7°	7° -45°	45° -60°				
										
		1.0	0.8	2.0	1.4	1.0	1.4	1.12	1.0	0.8
30	1T	1.000	0.800	2.000	1.400	1.000	1.400	1.120	1.000	0.800
60	2T	2.000	1.600	4.000	2.800	2.000	2.800	2.240	2.000	1.600
90	3T	3.000	2.400	6.000	4.200	3.000	4.200	3.360	3.000	2.400
120	4T	4.000	3.200	8.000	5.600	4.000	5.600	4.480	4.000	3.200
150	5T	5.000	4.000	10.000	7.000	5.000	7.000	5.600	5.000	4.000
180	6T	6.000	4.800	12.000	8.400	6.000	8.400	6.720	6.000	4.800
240	8T	8.000	6.400	16.000	11.200	8.000	11.200	8.960	8.000	6.400
300	10T	10.000	8.000	20.000	14.000	10.000	14.000	11.200	10.000	8.000

Each 30mm webbing width is equal to 1 T capacity.  
 Each stripe is equal to 1 T capacity.

Webbing width(mm)	Colourcoded according to EN1492-1	Working load limit with 1 webbing sling							Working load limit with 2 webbing sling			
		Straight lift	Choked lift	β					Straight lift up to 45°	Choked lift up to 45°	Straight lift 45° -60°	Choked lift 45° -60°
				0° -7°	7° -45°	45° -60°	Up to 45°	45° -60°				
												
		1.0	0.8	2.0	1.4	1.0	0.7	0.5	1.4	1.12	1.0	0.8
30	1T	1.000	0.800	2.000	1.400	1.000	0.700	0.500	1.400	1.120	1.000	0.800
60	2T	2.000	1.600	4.000	2.800	2.000	1.400	1.000	2.800	2.240	2.000	1.600
90	3T	3.000	2.400	6.000	4.200	3.000	2.100	1.500	4.200	3.360	3.000	2.400
120	4T	4.000	3.200	8.000	5.600	4.000	2.800	2.000	5.600	4.480	4.000	3.200
150	5T	5.000	4.000	10.000	7.000	5.000	3.500	2.500	7.000	5.600	5.000	4.000
180	6T	6.000	4.800	12.000	8.400	6.000	4.200	3.000	8.400	6.720	6.000	4.800
240	8T	8.000	6.400	16.000	11.200	8.000	5.600	4.000	11.200	8.960	8.000	6.400
300	10T	10.000	8.000	20.000	14.000	10.000	7.000	5.000	14.000	11.200	10.000	8.000

Each 30mm webbing width is equal to 1 Ton capacity.  
 Each stripe is equal to 1 Ton capacity.

100% high tenacity polyester for the outer sleeve and inner core.  
 Low elongation  
 Length available: 1m to 10m  
 Single ply and Double ply sleeve  
 According to EN1492-2:2000  
 Safety factor available: 7:1

Color	Colour coded according to EN1492-2	Working load limit with 1 webbing sling							Working load limit with 2 webbing sling			
		Straight lift	Choked lift	$\beta$					Straight lift up to 45°	Choked lift up to 45°	Straight lift 45° -60°	Choked lift 45° -60°
				0° -7°	7° -45°	45° -60°	Up to 45°	45° -60°				
		1.0	0.8	2.0	1.4	1.0	0.7	0.5	1.4	1.12	1.0	0.8
Purple	1T	1.000	0.800	2.000	1.400	1.000	0.700	0.500	1.400	1.120	1.000	0.800
Green	2T	2.000	1.600	4.000	2.800	2.000	1.400	1.000	2.800	2.240	2.000	1.600
Yellow	3T	3.000	2.400	6.000	4.200	3.000	2.100	1.500	4.200	3.360	3.000	2.400
Grey	4T	4.000	3.200	8.000	5.600	4.000	2.800	2.000	5.600	4.480	4.000	3.200
Red	5T	5.000	4.000	10.000	7.000	5.000	3.500	2.500	7.000	5.600	5.000	4.000
Brown	6T	6.000	4.800	12.000	8.400	6.000	4.200	3.000	8.400	6.720	6.000	4.800
Blue	8T	8.000	6.400	16.000	11.200	8.000	5.600	4.000	11.200	8.960	8.000	6.400
Orange	10T	10.000	8.000	20.000	14.000	10.000	7.000	5.000	14.000	11.200	10.000	8.000
Orange	12T	12.000	9.600	24.000	16.800	12.000	8.400	6.000	16.800	13.440	12.000	9.600

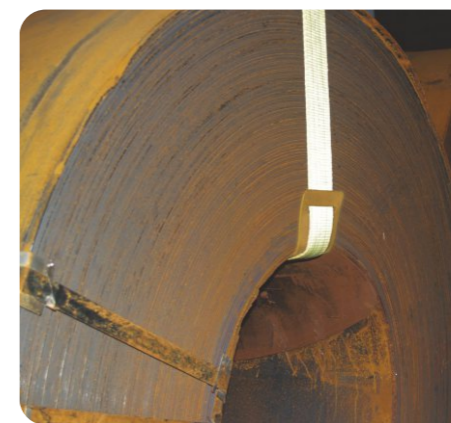
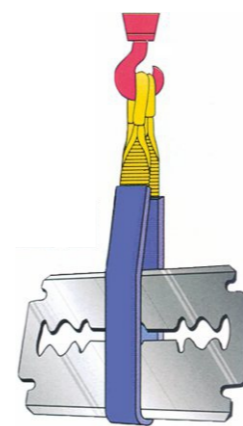
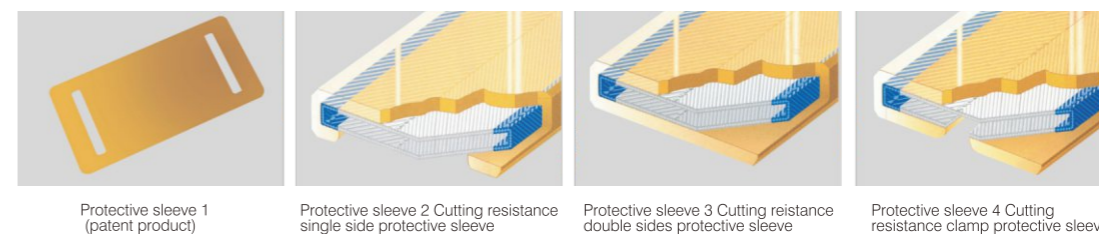
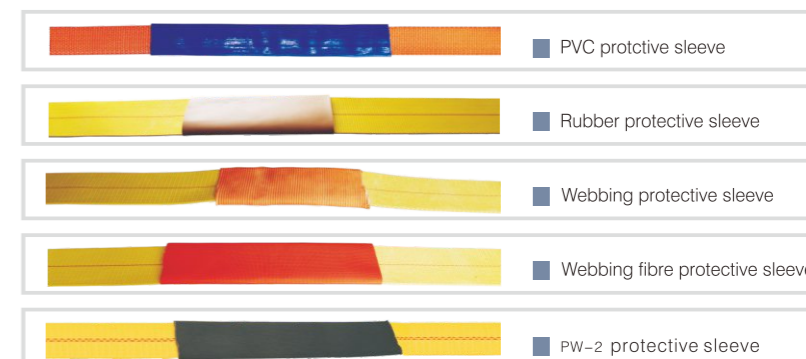
Each stripe is equal to 1 T capacity.

## OPERATION INSTRUCTION

1. Never use slings with damages or defects.
2. Only use slings with clear identifications.
3. Before use, check working load limit, length and working position.
4. Never use slings with knots.
5. Never use slings on sharp edges without the correct protection.
6. Use the correct mode factor and check lifting angle before use.
7. Trapping the sling when lowering the load should be avoided.
8. Never use sling under 40°C or more than 100°C.
9. Stitching should never be placed over hooks or other lifting devices.
10. Sling should be stored in dry and clear conditions. Away from heat sources or direct sunlight and UV rays.
11. In case of chemical attack, please check with the manufacturer.

## Sling sleeve

When the loading object has sharp edge, rough surface the sling always requires to use proper protecting measures. The PU-sleeves is the best choice; good at cut and abrasion resistance;



## Various protecting types of the sleeve works

